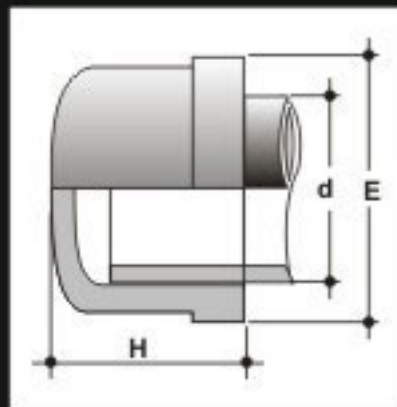


# PVDF END CAP



d	H	E	g
16	19.5	22.5	7
20	22.5	27.5	11
25	27.0	33.0	19
32	31.0	41.0	32
40	36.0	50.0	47
50	42.5	60.5	75
63	51.0	75.5	135
75	58.0	89.5	215
90	68.0	108.5	400
110	81.0	130.0	630

All dimensions in mm

Sangir Plastics