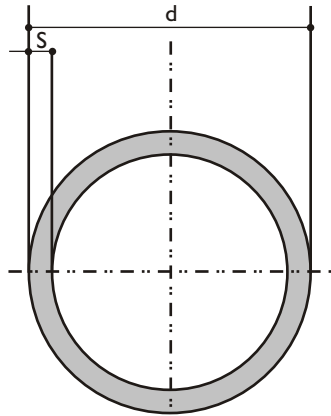


# Product Specifications - Pipes



## Regular Pipes (Plain End)

**Standard:** DIN 8077/78

**Standard Length:** 6 mtrs

**Also Available:** Pipes in Special lengths  
Ventilation pipes  
SDR 33/17/9/5 thicknesses  
Pipes per ASTM / Sch 80 /40  
Flanged Pipes

| Outer Diameter |        | SDR 41          |       | SDR 26 |       | SDR 17.6 |       | SDR 11 |       | SDR 7.4 |       | SDR 6 |       |
|----------------|--------|-----------------|-------|--------|-------|----------|-------|--------|-------|---------|-------|-------|-------|
|                |        | Pressure Rating |       |        |       |          |       |        |       |         |       |       |       |
|                |        | PN 2.5          |       | PN 4   |       | PN 6     |       | PN 10  |       | PN 16   |       | PN 20 |       |
| mm             | inches | s               | kg/m  | s      | kg/m  | s        | kg/m  | s      | kg/m  | s       | kg/m  | s     | kg/m  |
| 16             | -      | -               | -     | -      | -     | -        | -     | -      | -     | 2.2     | 0.10  | 2.7   | 0.11  |
| 20             | 1/2"   | -               | -     | -      | -     | -        | -     | 1.9    | 0.11  | 2.8     | 0.15  | 3.4   | 0.17  |
| 25             | 3/4"   | -               | -     | -      | -     | -        | -     | 2.3    | 0.16  | 3.5     | 0.23  | 4.2   | 0.27  |
| 32             | 1.0"   | -               | -     | -      | -     | 1.8      | 0.17  | 2.9    | 0.26  | 4.4     | 0.37  | 5.4   | 0.43  |
| 40             | 1.25"  | -               | -     | 1.8    | 0.22  | 2.3      | 0.27  | 3.7    | 0.41  | 5.5     | 0.58  | 6.7   | 0.67  |
| 50             | 1.5"   | -               | -     | 2.0    | 0.30  | 2.9      | 0.42  | 4.6    | 0.64  | 6.9     | 0.90  | 8.3   | 1.04  |
| 63             | 2"     | 1.8             | 0.35  | 2.5    | 0.47  | 3.6      | 0.66  | 5.8    | 1.01  | 8.6     | 1.41  | 10.5  | 1.65  |
| 75             | 2.5"   | 1.9             | 0.44  | 2.9    | 0.65  | 4.3      | 0.94  | 6.8    | 1.41  | 10.3    | 2.01  | 12.5  | 2.34  |
| 90             | 3"     | 2.2             | 0.62  | 3.5    | 0.94  | 5.1      | 1.33  | 8.2    | 2.03  | 12.3    | 2.87  | 15.0  | 3.36  |
| 110            | 4"     | 2.7             | 0.90  | 4.2    | 1.37  | 6.3      | 1.99  | 10.0   | 3.01  | 15.1    | 4.30  | 18.3  | 5.1   |
| 125            | 5"     | 3.1             | 1.18  | 4.8    | 1.76  | 7.1      | 2.55  | 11.4   | 3.91  | 17.1    | 5.53  | 20.8  | 6.47  |
| 140            | 5"     | 3.5             | 1.48  | 5.4    | 2.23  | 8.0      | 3.20  | 12.7   | 4.87  | 19.2    | 6.95  | 23.3  | 8.12  |
| 160            | 6"     | 4.0             | 1.91  | 6.2    | 2.92  | 9.1      | 4.17  | 14.6   | 6.38  | 21.9    | 9.4   | 26.6  | 10.60 |
| 180            | 7"     | 4.4             | 2.38  | 6.9    | 3.63  | 10.2     | 5.25  | 16.4   | 8.07  | 24.6    | 11.40 | 29.0  | 13.40 |
| 200            | 8"     | 4.9             | 2.92  | 7.7    | 4.50  | 11.4     | 6.5   | 18.2   | 9.95  | 27.4    | 14.10 | 33.2  | 16.50 |
| 225            | 9"     | 5.5             | 3.70  | 8.6    | 5.65  | 12.8     | 8.19  | 20.5   | 12.60 | 30.8    | 17.90 | 37.4  | 20.90 |
| 250            | 10"    | 6.2             | 4.63  | 9.6    | 6.99  | 14.2     | 10.10 | 22.7   | 15.50 | 34.2    | 22.10 | -     | -     |
| 280            | 10"    | 6.9             | 5.73  | 10.7   | 8.72  | 15.9     | 12.60 | 25.4   | 19.40 | 38.3    | 27.60 | -     | -     |
| 315            | 11"    | 7.7             | 7.20  | 12.1   | 11.10 | 17.9     | 16.0  | 28.6   | 24.60 | -       | -     | -     | -     |
| 355            | 12"    | 8.7             | 9.14  | 13.6   | 14.00 | 20.1     | 20.30 | 32.2   | 31.20 | -       | -     | -     | -     |
| 400            | 14"    | 9.8             | 11.60 | 15.3   | 17.80 | 22.7     | 25.70 | 36.3   | 39.60 | -       | -     | -     | -     |
| 450            | 16"    | 11.0            | 14.70 | 17.2   | 22.50 | 25.5     | 32.50 | 40.9   | 50.10 | -       | -     | -     | -     |
| 500            | 18"    | 12.3            | 18.20 | 19.1   | 27.70 | 28.4     | 40.20 | -      | -     | -       | -     | -     | -     |
| 560            | 20"    | 13.7            | 22.60 | 21.4   | 34.70 | 31.7     | 50.30 | -      | -     | -       | -     | -     | -     |
| 630            | 24"    | 15.4            | 28.60 | 24.1   | 44.00 | 35.7     | 63.70 | -      | -     | -       | -     | -     | -     |



For use with MS/SS lined Piping

| Outer Diameter |        | S   | kg/m  |
|----------------|--------|-----|-------|
| mm             | inches |     |       |
| 29.2           | 1"     | 4.0 | 0.30  |
| 44.7           | 1.5"   | 4.1 | 0.50  |
| 56             | 2"     | 4.5 | 0.70  |
| 81.9           | 3"     | 4.5 | 1.041 |
| 107.1          | 4"     | 5.3 | 1.62  |
| 164.2          | 6"     | 5.7 | 2.71  |

Other non standard sizes available on request

\* dimensions in mm

## Liner Pipes