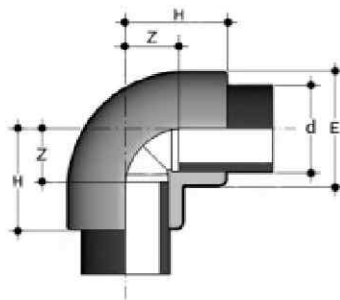


## Product Specifications - Fittings

Note: Fitting dimensions are subject to change and actual values may vary. Some sizes are subject to availability.

### Moulded Elbows 90°

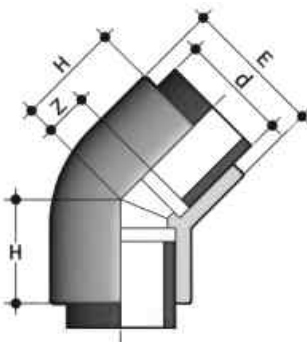


SDR 11-S 5-PN10				
d	E	H	Z	Wt in kgs
20	29.1	27.5	15.5	0.01
25	33.5	32.0	17.5	0.02
32	41.5	37.5	20.0	0.03
40	51.5	47.0	22.0	0.06
50	63.5	51.0	27.5	0.10
63	77.2	65.0	30.0	0.18
75	92.5	78.7	32.7	0.30
90	110.5	84.5	36.6	0.45
110	135.0	90.5	42.6	0.81



Weld Type: Socket

### Moulded Elbows 45°



SDR 11-S 5-PN10				
d	E	H	Z	Wt in kgs
20	27.5	21.0	6.5	0.01
25	33.5	24.5	8.5	0.02
32	42.0	29.0	12.0	0.03
40	51.5	35.5	15.0	0.06
50	63.0	42.5	19.0	0.11
63	79.0	51.0	23.5	0.18
75	92.0	71.0	38.5	0.22
90	113.7	82.5	46.0	0.41
110	135.0	98.7	56.0	0.59



Weld Type: Socket

\* dimensions in mm